

1

2

3

4

5

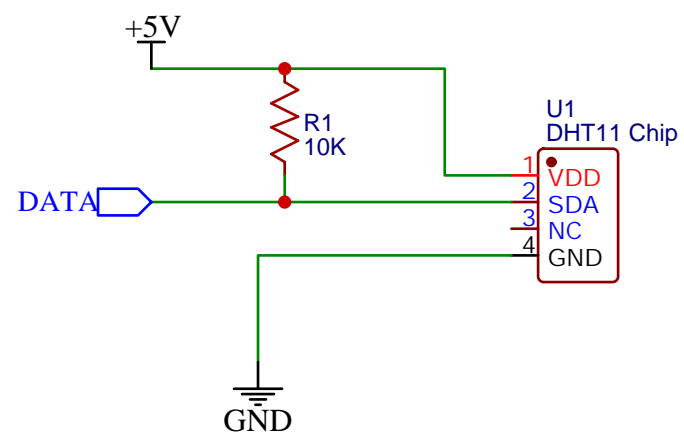
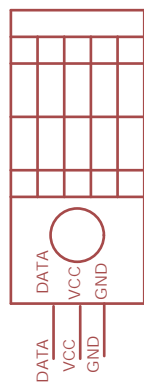
A

B

C

D

DHT11-MODULE



TITLE: Sheet_1		REV: 1.0
	Company: ELECTRONICSIDEAS	Sheet: 1/1
	Date: 2024-09-15 Drawn By:	

1

2

3

4

5